

**KIDS CENTER 3
#KID-03**

USER GROUP: 2-5 years

TOOLS REQUIRED:

T-30 TORX Tool - Supplied by manufacturer

T- Tool - Supplied by manufacturer

Open End Wrench - 14mm/17mm - Supplied by manufacturer

T-40 Hand Key - Supplied by manufacturer

T-45 Hand Key - Supplied by manufacturer

Allen Tool (5mm and 6mm) - Supplied by manufacturer

14 mm socket

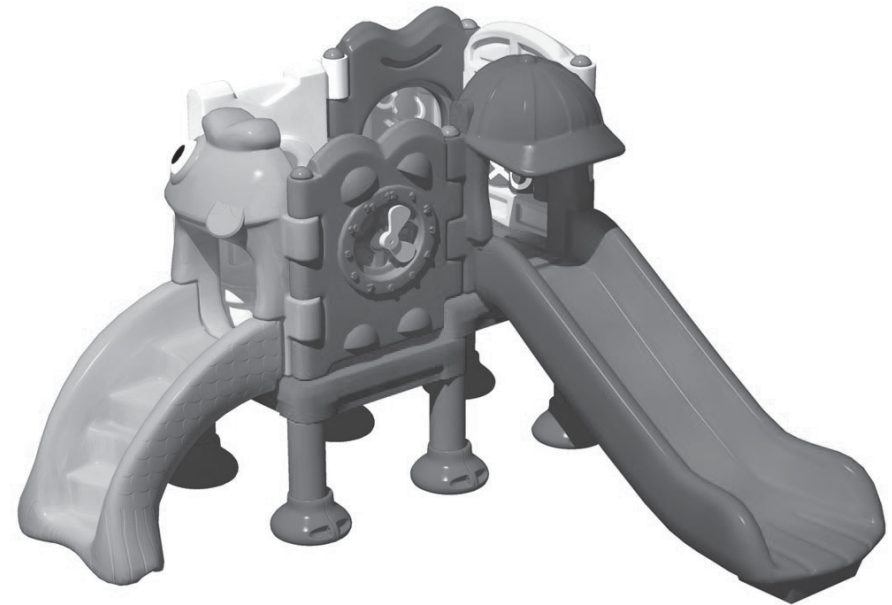
Level

Drill with 1/2" masonry bit (for wedge anchors) if applicable

INSTALLATION TIME: Approximately 4 hours

WEIGHT: 689 lbs. (2 cartons and 1 pack - on 1 skid)

**KIDS CENTER 3
#KID-03**



PRE-INSTALLATION CHECK:

Compare all items received to the Bill of Materials / Packing List. Notify your local sales representative immediately if any parts are missing or damaged.

Inventory must be taken PER CARTON!

We are not responsible for items discovered missing after 72 hours from time of delivery!

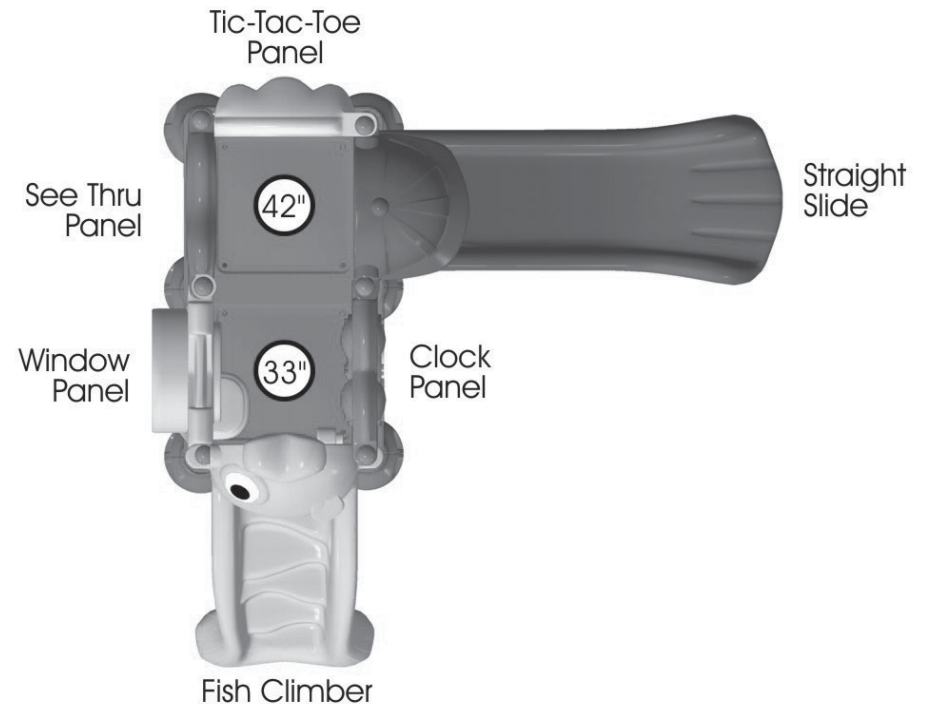
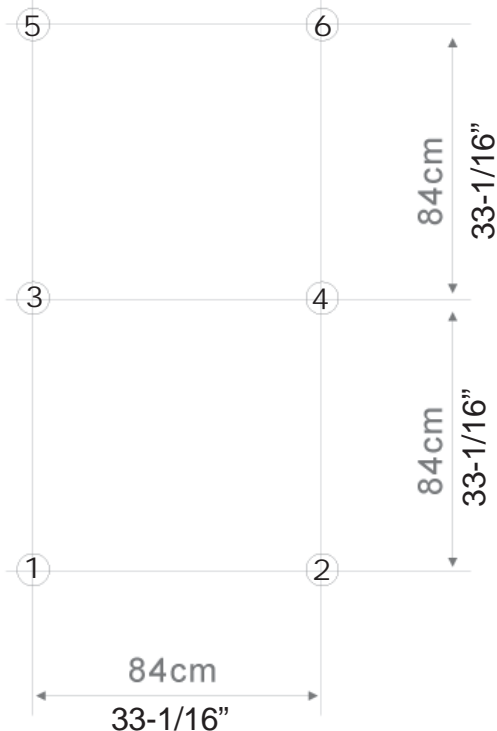
INSTALLATION GUIDELINES

The Kids Center is a modular play system that uses a grid system for the playground layout. It is very important to spend a few minutes before beginning the installation to ensure that items are inventoried and organized properly. **INVENTORY MUST BE TAKEN PER CARTON!** The site must be level for proper installation.

Each post will have a number sticker on it corresponding with that area of the grid. Some grid numbers have an upper level post as well as a lower level post. The lower level posts have “flanges” and the upper level posts do not. The upper level posts will have a number that matches a lower level post. The upper level posts screw into the lower level posts using the provided “T” tool. Also, please note that post and spacer lengths along with the location in the grid are also listed on page 3 of this manual to use as a reference in case any labels have been removed.

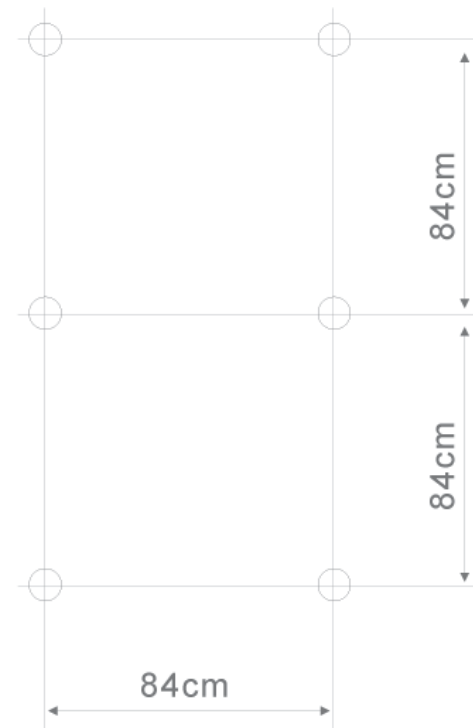
The plastic pieces will all have numbers on them that correspond with the grid and post numbers. This will enable you to verify that the correct piece is being installed in the correct location. When installing the plastic, simply match up the numbered holes on the plastic with the corresponding vertical posts.

Determine the placement of the structure and note where the start point is on the layout.



POST / SPACER LIST AND GRID LAYOUT

GRID #	LOWER POST	UPPER POST	SUPPORT SPACER
1	31-1/2" (46 cm)	35-1/16" (89 cm)	24-3/8" (62 cm)
2	31-1/2" (46 cm)	27-3/16" (69 cm)	24-3/8" (62 cm)
3	39-3/8" (100 cm)	27-3/16" (69 cm)	24-3/8" (62 cm)
4	39-3/8" (100 cm)	27-3/16" (69 cm)	24-3/8" (62 cm)
5	39-3/8" (100 cm)	34-5/8" (88 cm)	32" (81.3 cm)
6	39-3/8" (100 cm)	34-5/8" (88 cm)	32" (81.3 cm)



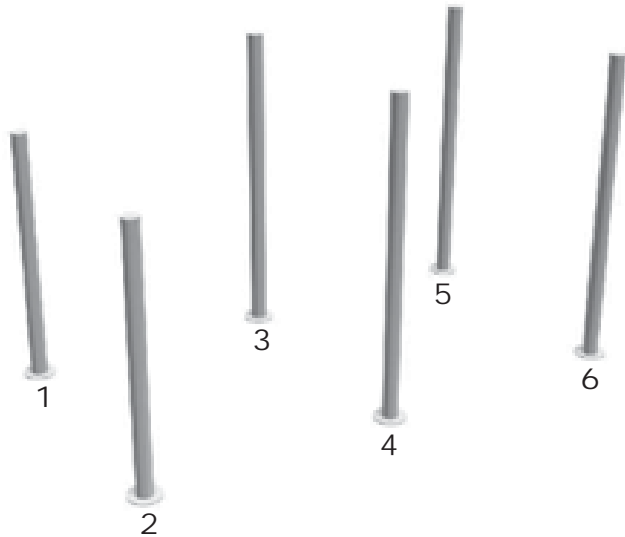
STEP 1

Determine placement and orientation of Kids Center. Conduct a thorough inventory (per carton) and organize parts. Verify that site is level.

STEP 2

Select lower posts. Arrange posts according to grid below (Detail A). Posts will be 33-1/16" (84 cm) on center. Each post is labeled with its location in the grid. Also, please note that post lengths along with the location in the grid are also listed on page 3 of this manual to use as a reference in case any labels have been removed.

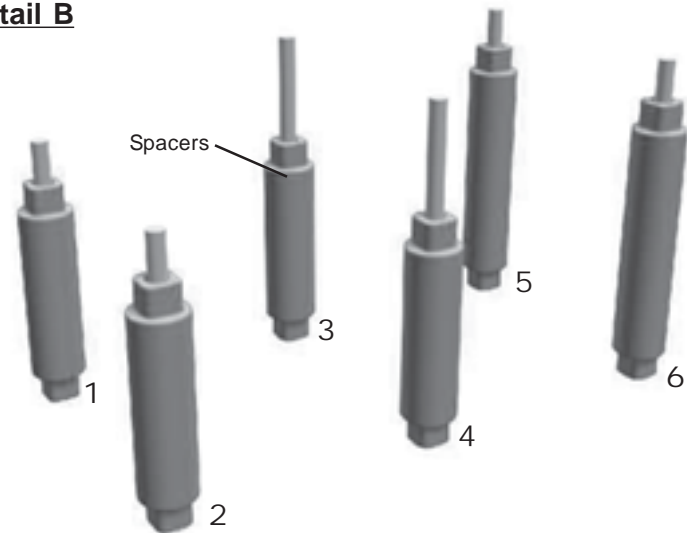
Detail A



STEP 4

Select green spacers and blue feet. At this time, place 1/2 of each foot in the correct location against posts. **NOTE:** The T-40 tool is used for the bolt and a 14mm socket is needed to turn nut in foot. Place spacers over vertical posts as shown in Detail B. The feet will be used as temporary shims to maintain proper elevation of spacers. Each spacer will have a number on it to indicate where it should be placed. Also, please note that spacer lengths along with the location in the grid are also listed on page 3 of this manual to use as a reference in case any labels have been removed.

Detail B



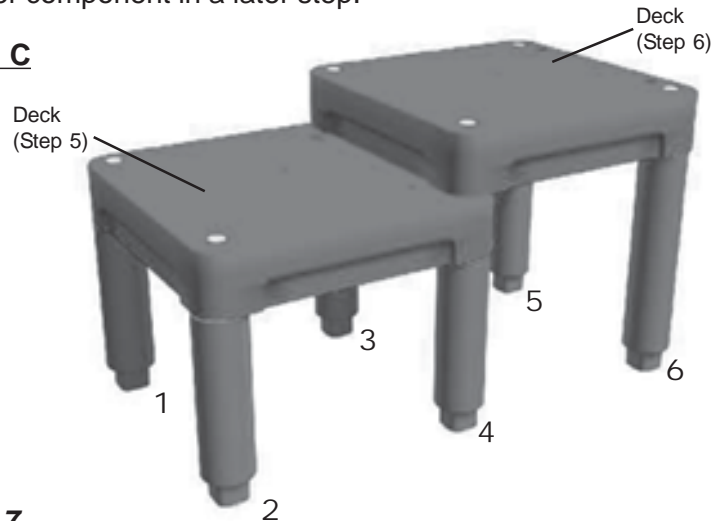
STEP 5

Select red deck with “1, 2, 3 and 4” marked on corners. Place deck over vertical posts and spacers with numbers on deck matching post and spacer numbers as shown in Detail C. **NOTE:** This deck will have hardware attached to the “1-2” side of it for attaching another component in a later step.

STEP 6

Select red deck with “3, 4, 5 and 6” marked on corners. Place deck over vertical posts and spacers with numbers on deck matching post and spacer numbers as shown in Detail C. **NOTE:** This deck will have hardware attached to the “4-6” side of it for attaching another component in a later step.

Detail C



STEP 7

This completes installation of the main body of the structure. We recommend that you anchor the structure at this time. The plastics will be easier to raise without the added weight of the slides and stairs. Use the 5/16”x2” wedge anchors provided if installing on concrete slab. If installed where the wedge anchors will not work, a different anchoring method would need to be used. Other types of anchors are not provided. **NOTE:** Spacers may need to be turned to allow access to the anchor holes in the flange.

STEP 8

Select two slide feet, two 3/8”x3/4” bolts and two 3/8”x3/4” washers. Install feet on bottom of slide. Hold slide in place against deck and mark anchor locations. Remove slide and drill and install anchors.

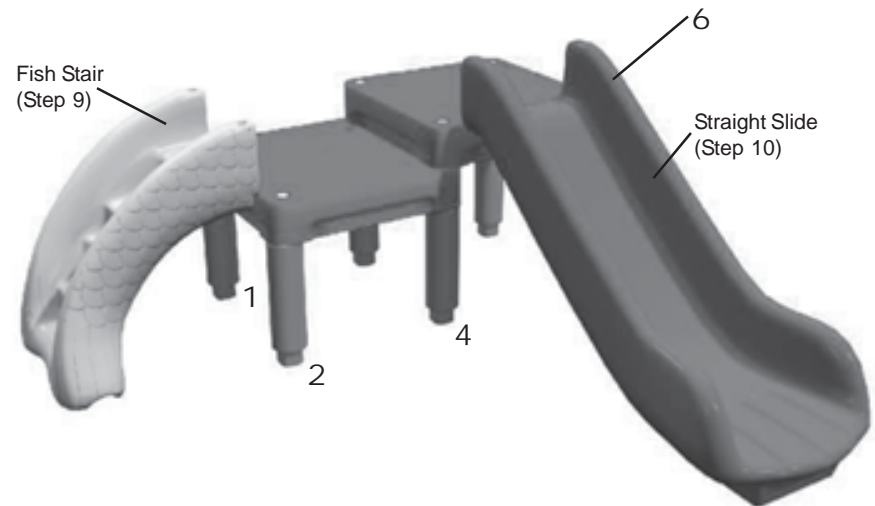
STEP 9

Select yellow fish stair with “1-2 marked on ends, two 3/8”x6” BH TORX bolts, four 3/8”x1-1/4” washers, two 3/8” hex nuts and two 3/8” acorn nuts. Place fish stair against deck and align holes in stair with holes in deck. Attach fish stair to deck using provided hardware (insert bolt through washer, plastic pieces, washer, nut and into acorn nut). Tighten hardware completely. See Detail E.

STEP 10

Select purple straight slide with “4-6” marked on ends. Place slide against deck and align holes in slide with holes in deck and align holes in foot with anchors. Attach slide to deck using provided hardware. Insert 3/8”x6” bolt through 3/8”x1-1/4” washer, plastic pieces, 3/8”x1-1/4” washer, 3/8” hex nut and into 3/8” acorn nut. Tighten hardware and anchors completely. See Detail E.

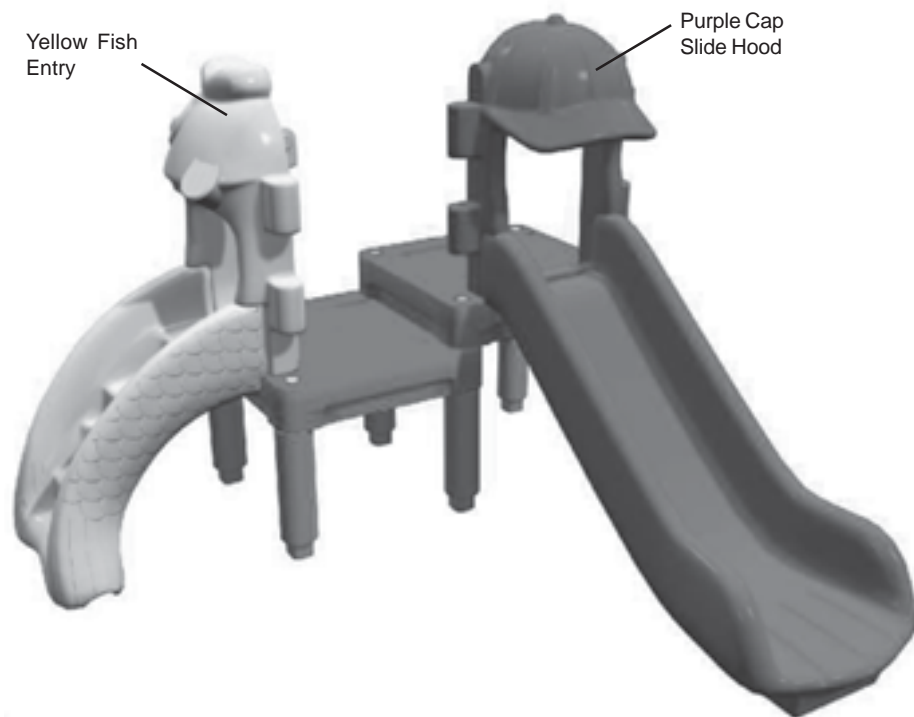
Detail D



STEP 11

Select purple cap slide hood and yellow fish entry. Place the purple cap on the purple straight slide. Place the yellow fish entry on the fish stair. See Detail E.

Detail E



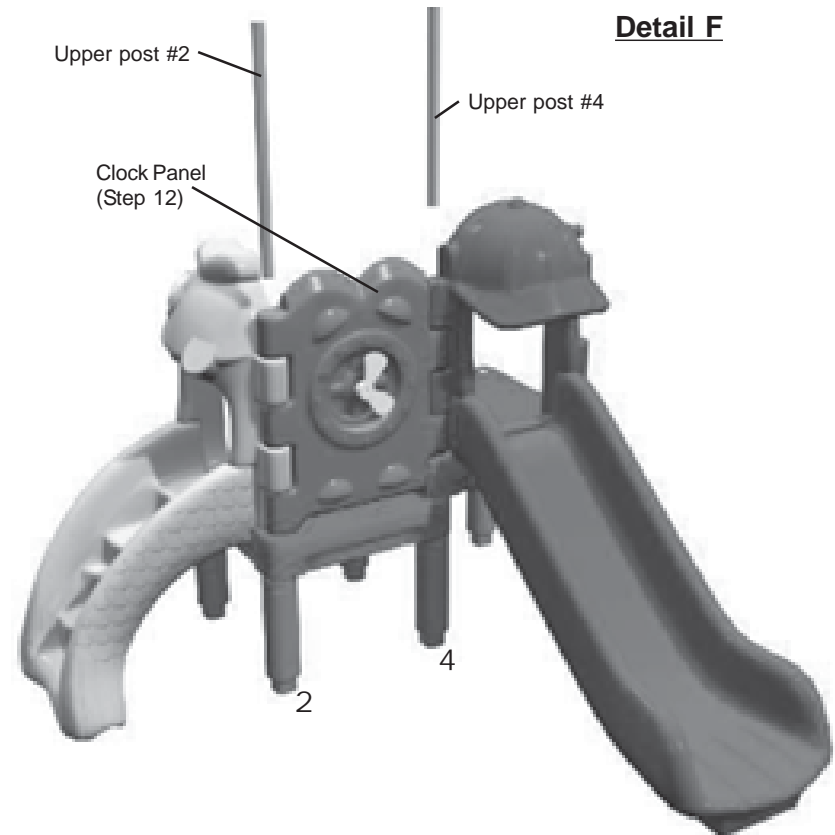
STEP 12

Select green clock panel with “2 and 4” marked on corners. Set panel in place on the “2-4” side of deck as shown in Detail F.

STEP 13

Select upper post #'s 2 and 4. Slide upper posts down into clock panel as shown in Detail F. Screw upper post into lower post using provided “T” tool. Also, please note that post lengths along with the location in the grid are also listed on page 3 of this manual to use as a reference in case any labels have been removed.

Detail F



STEP 14

Select yellow tic tac toe panel with “5 and 6” marked on ends. Set panel in place on the “5-6” deck side. See Detail G.

STEP 15

Select blue see through panel with “3 and 5” marked on corners. Set panel in place on the “3-5” side of deck as shown in Detail H.

STEP 16

Select tan window panel with “1 and 3” marked on ends Set panel in place as shown in Detail G.

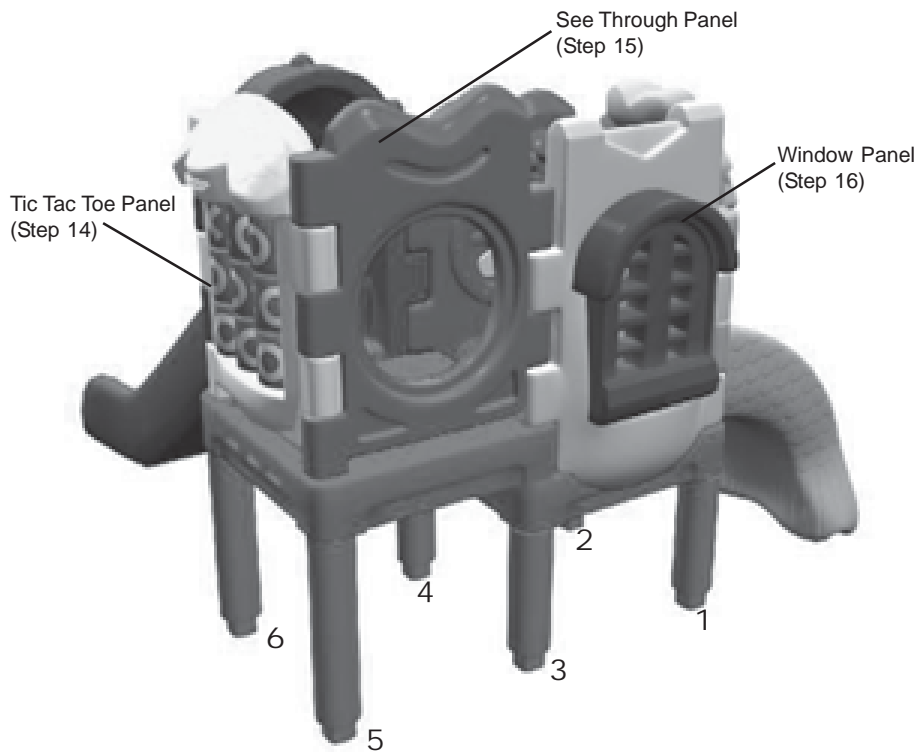
STEP 17

Select two small upper spacers. Set spacers in place as shown below in Detail H.

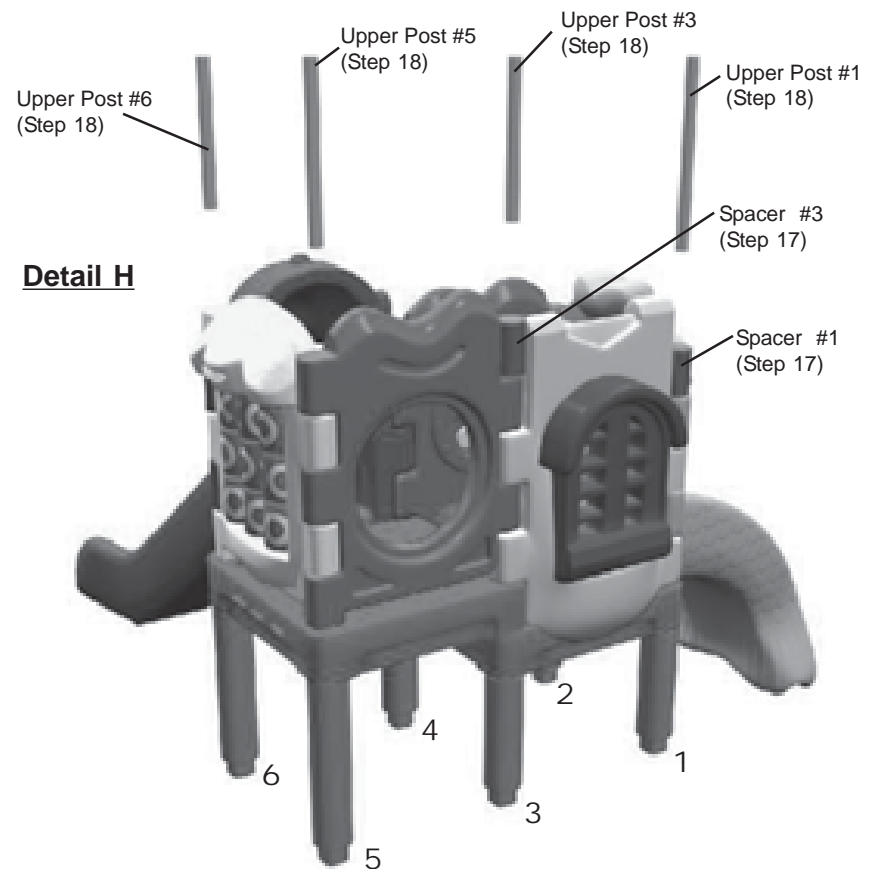
STEP 18

Select upper post #'s 1, 3, 5 and 6 as shown below in Detail H. Also, please note that post lengths along with the location in the grid are also listed on page 3 of this manual to use as a reference in case any labels have been removed.

Detail G



Detail H



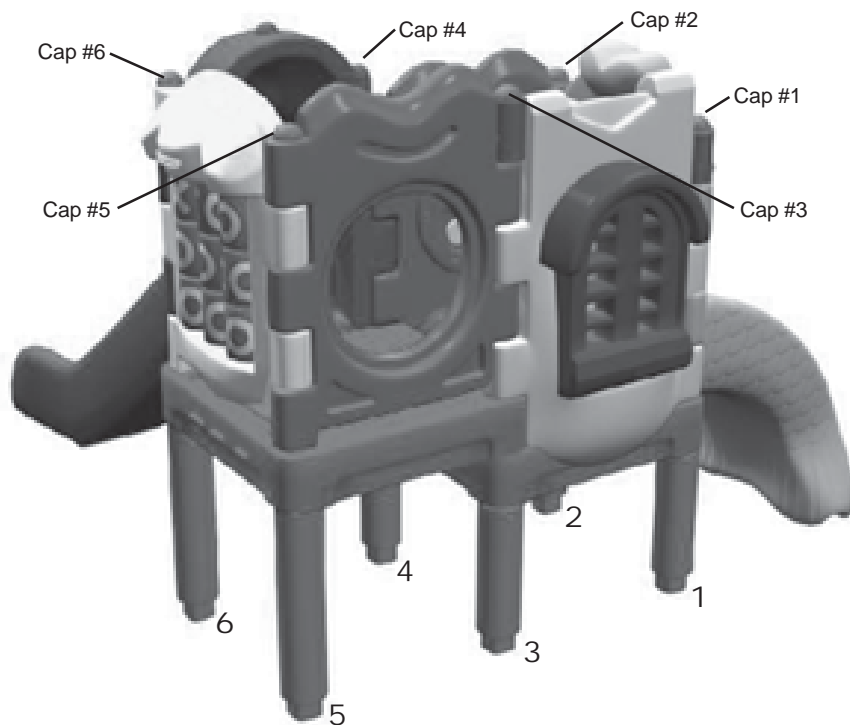
STEP 19

Select six 3/8"x2" bolts and six post caps. Set caps in place on each vertical post as shown in Detail I. Secure caps using one bolt per cap.

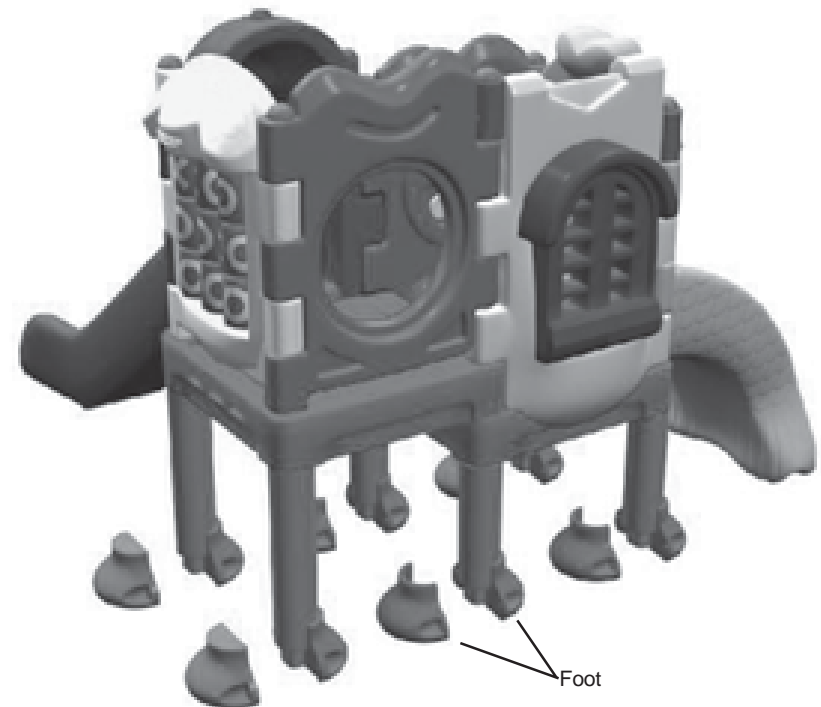
STEP 20

Select blue feet. Attach feet to all vertical posts and secure with metric hardware provided (attached to foot). **NOTE:** The T-40 tool is used for the bolt and a 14mm socket is needed to turn nut. See Detail J.














Detail I



Detail J
















BILL OF MATERIALS

<u>RECEIVED</u>	<u>QTY.</u>	<u>PART NO.</u>	<u>DESCRIPTION - LOCATION</u>	<u>IMAGE</u>	<u>Carton #</u>
<u>Carton #1 size = 195cm x 94cm x 65cm Weight = 450 lbs.</u>					
	2	KC00040111	RED KC Square Deck		1
	1	KC00040253	BLUE KC See Thru Panel		1
	1	KC00040441	GREEN KC Clock Panel		1
	1	KC00040831	YELLOW KC TTT Panel		1
	4	KC00040641	GREEN KC Support Spacer - 24-3/8" (post #'s 1, 2, 3, 4)		1
	2	KC00040541	GREEN KC Support Spacer - 32" (#post #'s 5 and 6)		1
	6	KC00042053	BLUE KC Boot (2 pcs)		1
	1	KC00040961	PURPLE KC Cap Hood		1
	4	KC10000541	GREEN KC Post w/base - 39-3/8" (post #'s 3, 4, 5, 6)		1
	2	KC10000441	GREEN KC Post w/base - 31-1/2" (#1 and #2 post)		1
	3	KC20000941	GREEN KC Post w/stub (upper) - 27-3/16" (post #'s 2, 3, 4)		1
	2	KC20001041	GREEN KC Post w/stub (upper) - 34-3/8" (#5 and #6 post)		1
	1	KC20000841	GREEN KC Post w/stub (upper) - 35-1/16" (#1 post)		1

BILL OF MATERIALS




**HARDWARE - PLEASE NOTE THAT ANY HARDWARE NOT ATTACHED TO THE PIECE IT IS INSTALLED WITH WILL BE IN CARTON #1.
ALSO, PLEASE NOTE THAT SOME HARDWARE MAY BE A METRIC EQUIVALENT OF SIZES LISTED BELOW.**

<u>RECEIVED</u>	<u>QTY.</u>	<u>PART NO.</u>	<u>DESCRIPTION - LOCATION</u>	<u>IMAGE</u>	<u>Carton #</u>
			<u>HARDWARE</u>		
	1	2070011101	T-45 Hand Key		1
	4	2080016092	BH Bolt - 3/8"x6" TORX w/patch		1
	8	2090010292	Washer - 3/8"x1-1/4" Flat		1
	2	2090010492	Washer - 3/8"x7/8" OD		1
	4	2100040292	3/8" Hex Nut		1
	2	812052T	BH Bolt 3/8"x3/4" TORX w/patch		1
	6	812055T	BH Bolt 3/8"x2" TORX w/patch		1
	1	HDW10904XX	Hand Key - T-40 Security		1
	2	HDW10905XX	KC Open End Wrench 17mm/14mm		1
	1	HDW10906XX	T-Tool		1
	16	HDW40092XX	Wedge Anchor		1
	1	HDW10902XX	Allen #1 - 5mm		1
	1	HDW10903XX	Allen #2 - 6mm		1

BILL OF MATERIALS

RECEIVED QTY. PART NO. DESCRIPTION - LOCATION IMAGE Carton #

HARDWARE - continued

4	HDW43967XX	Nut - Acorn 3/8"		1
2	KC00010341	Green Short Slide Foot		1
6	KC00020141	Post Cap		1
6	SHERRIP	Boot Hardware		1

Carton #2 size = 150cm x 94cm x 105cm Weight = 150 lbs.

1	KC00042231	YELLOW KC Fish Stair		2
1	KC00041131	YELLOW KC Fish Entry		2
1	KC00042105	TAN KC Window Panel		2

Single Pack = 89 lbs.

1	KC00042761	PURPLE KC Straight Slide		single item
---	------------	--------------------------	---	-------------