





Unity


Here

It's a place to reconnect with the physical world—to take on challenges—to develop strength, coordination, and confidence through action.



Now

It's this very moment, in the midst of social, economic, and political pressures, surrounded by a technological revolution.



It's the way it's meant to be: interacting face-to-face, working in tandem, sharing and accepting our differences.

Together

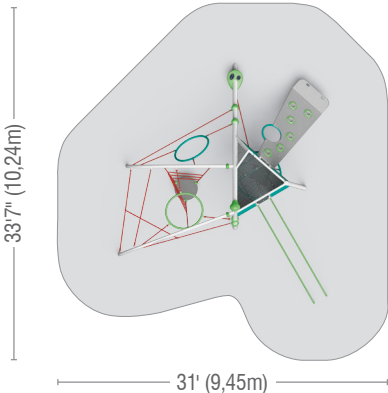
A close-up photograph of a child's hand gripping a bright green, curved handle of a playground structure. The child is wearing a blue shirt and a pink and white sneaker. The background is a blurred view of the playground structure, showing other green handles and blue panels.

Unity[®] Connect

At the heart of the Unity Collection, Connect serves as a playground focal point and destination where kids can meet and move.



This towering, modern play system invites older kids outside to engage in more face-to-face interactions and physical activity.

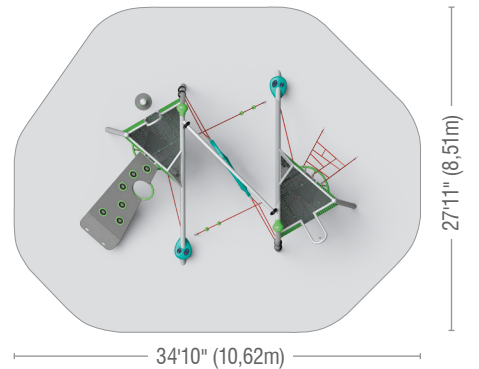


UC-1720
The best of both worlds—combine the familiarity of a deck with new, open-ended ropes and hoops all under a single A-frame.

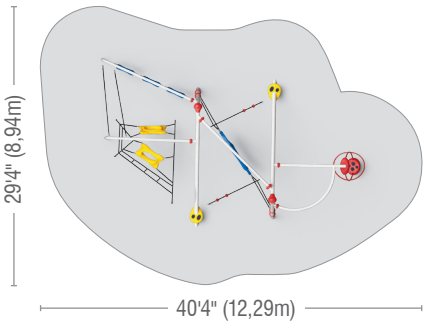


UC-1730

Two A-frames with triangular decks and a rope-based middle component offer various levels of challenging play for everyone.



A distinctive A-frame and nearly 20 unique play components offer endless configurations to meet your budget or space requirements.

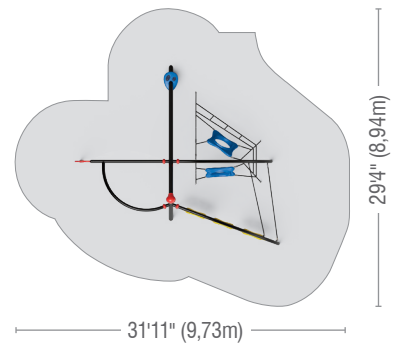


UC-1725
Sleek steel, adventure rope, and an abstract spinner provide an exciting experience and open sightlines for easy supervision.

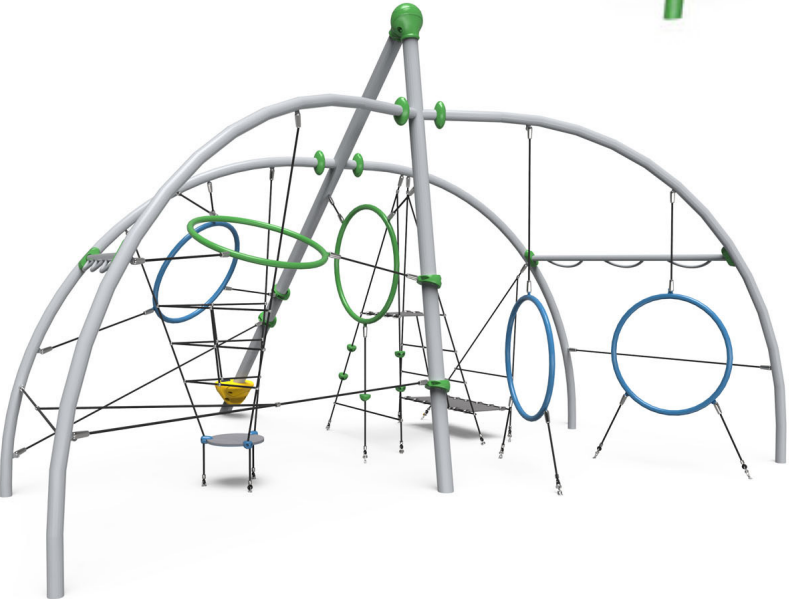


UC-1700

Bold, colorful plastic shapes and rope offer simple, yet dynamic climbing for youngsters, while a classic spinner adds speed and challenge.

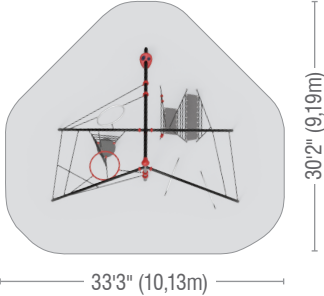


Baskets and hoops provide areas for gathering and sharing stories, while networks of rope provide dynamic, unpredictable challenge.



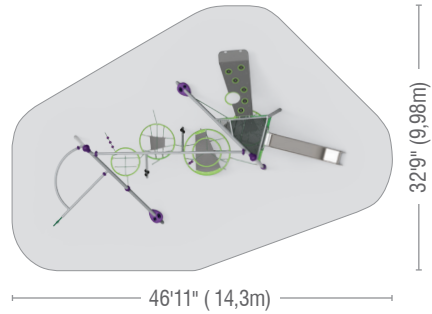
UC-1715

Pack a single A-frame with a variety of steel and rope components for the perfect urban or pocket park solution.



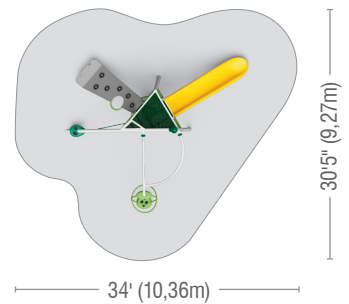
UC-1745

This expansive structure maximizes child capacity and play value with places to climb, spin, slide, hang, sway, and relax.



UC-1710

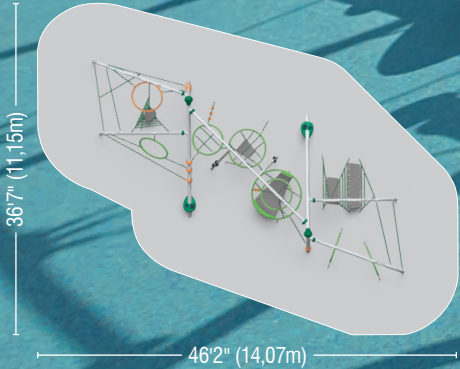
Fit all the essential, traditional play elements in a small footprint while maintaining a modern, clean aesthetic.





UC-1735

Inspire kids to find new ways to play with a large structure featuring signature Connect hoop and rope activities.





Start at point A.

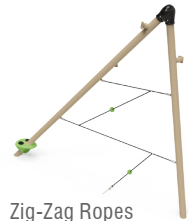
A-frame that is. The signature Connect A-frame is the cornerstone of this play system. Build off one or two A-frames to make a small, medium, or large structure. Add even more play value to the footprint with select under-frame components.



Single Hoop



Triple Hoop



Zig-Zag Ropes

Get dizzy.

Attach these classic spinning components to the outside of your A-frame to turn a kid's world into an exciting, colorful blur.



Tailspin



Twirl

Shake things up.

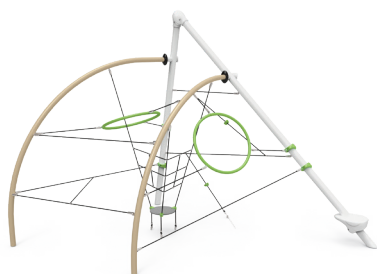
Rope-based components outside of your A-frame add movement and challenge, creating a new experience as more children join in.



Hoop Shakers



Trembler



Hoop Net



Flex Tiers



Portal

Deck it out.

Don't want to stray too far from post-and-platform? Choose an A-frame with a triangular deck for a more modern take on the classic play structure. Add familiar components like slides or try our new dynamic rope activities.



Plunge Slide



Stainless Steel Slide



ZipStix



Sliding Pole



Drop Zone



Climb-a-Board



Netline

Go big.

Add a middle component between two A-frames to expand your structure and encourage more kids to climb, stay, and sway.



Quiver



Hanging Baskets





Unity[®] Freestanding

The collection continues with twists on the classics of freestanding play—reimagined to promote even more interaction and cooperation.

Open structures with a mix of high and low-level activities allow children of all abilities to play together.





SpinR

A whirl with angled sides and optional, outward-facing inclusive seats combines climbing and spinning action.



Dome

Circles, varied climbing paths, and openings invite kids to play in, on, and around.



Teeter Tunnel™

If it's fun with two, why not ten? Kids work together to rock back and forth on this reinvented classic.





[+ Playworld.com/Unity](https://www.playworld.com/Unity)



Canopy

Create a non-linear overhead climbing challenge using small or large sections of circles.



Slide Climber

With three ways to climb up and a gathering space at the top, this isn't your ordinary slide.



RockR

This spring rocker breaks down barriers, encouraging kids of all ages and abilities to rock on.



The open-ended, modern design aesthetic of the Unity Collection lets kids determine how they want to play.



Hoopla Swing

It's one thing to swing alongside a friend. It's another to swing with friends together.



Basket Swing

Encourage social interaction by allowing multiple children to swing together.

*Increase the fun! Expand Hoopla Swing or Basket Swing with add-a-bay sections.



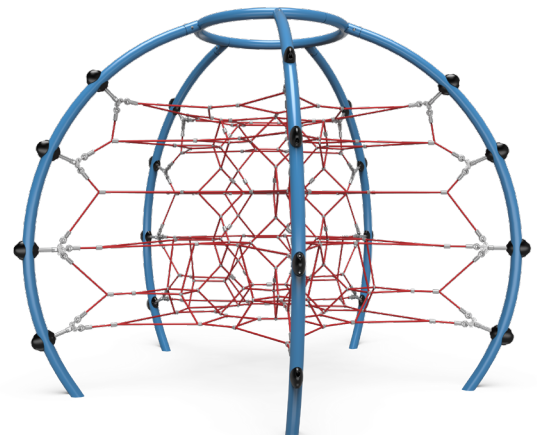


[+ Playworld.com/Unity](https://www.playworld.com/Unity)



Steppers

Add some challenge to the current journey or rest and ponder the next one.



Web

Helps improve core strength, balance, and coordination of children of varying abilities.

Your authorized Playworld representative is:



1000 Buffalo Road, Lewisburg, PA 17837-9795 USA

Toll-free: 800.233.8404 Phone: +1.570.522.9800

Playworld.com       

© 2020 Playworld Systems, Inc. All rights reserved.



See the Unity Collection in action and learn more at [Playworld.com/Unity](https://www.playworld.com/Unity)

